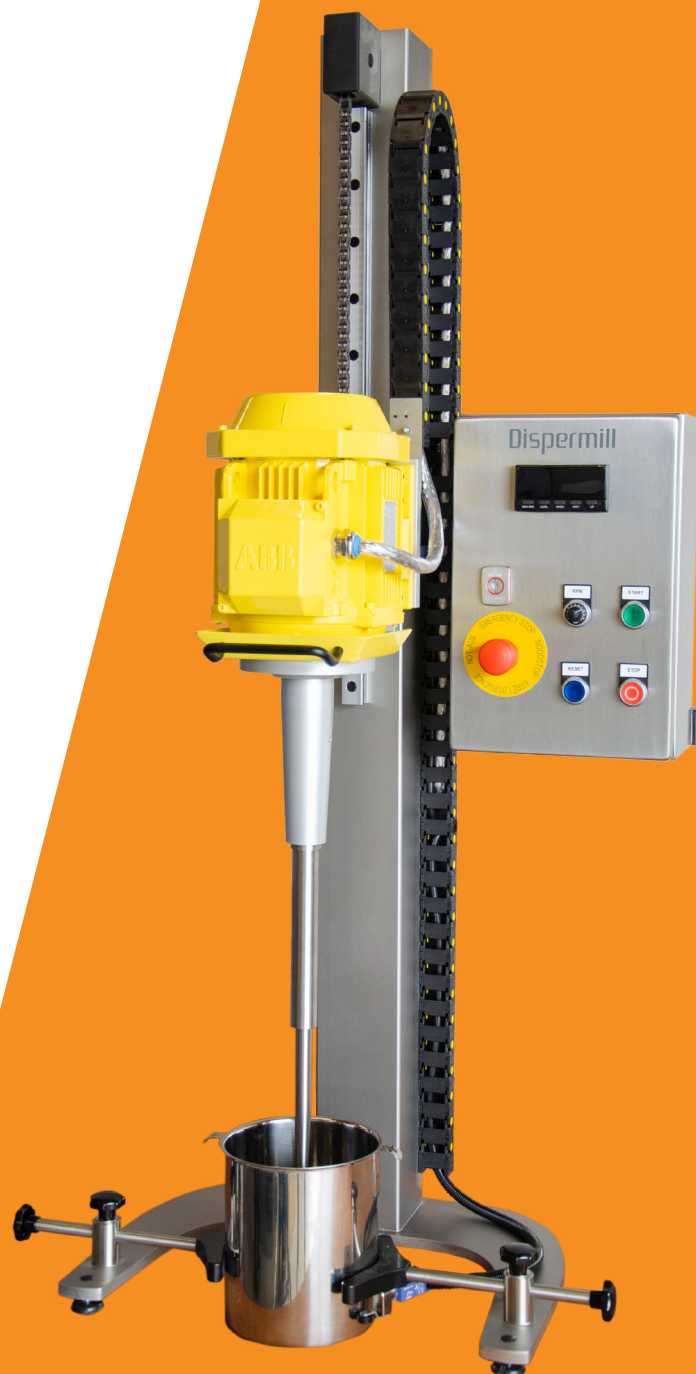


# Dispermill TT-400

Laboratory Dissolver

The Dispermill TT-400 is designed for the heavier laboratory research and development projects. This unit is equipped with a powerful 4,0 kW motor which delivers that extra you need for high viscous products. This is the strongest tabletop laboratory model we have on the market. The motor maintains its selected speed, independent of changes in viscosity. This guarantees optimum performance for your dissolving process.



## FEATURES

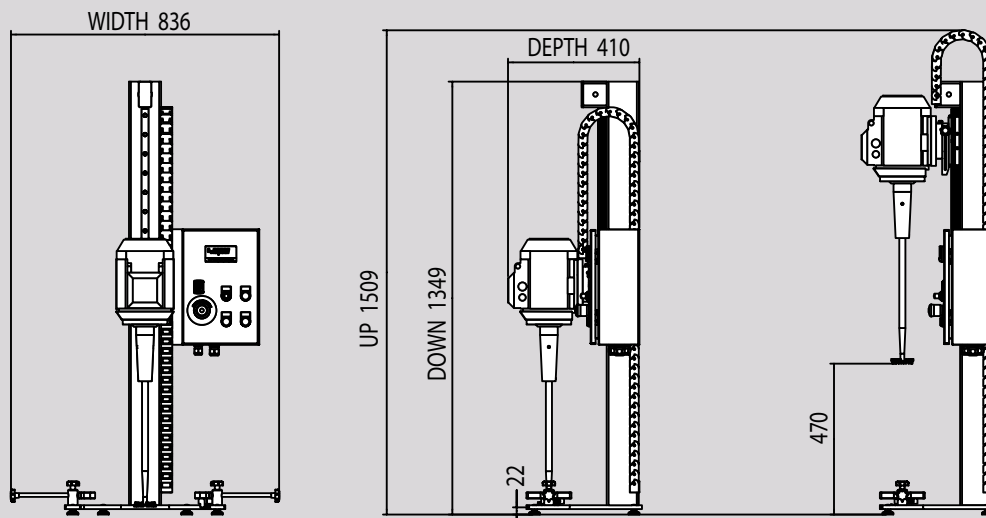
- ✓ Speed control by frequency inverter
- ✓ Digital speed readout
- ✓ Separate electronic cabinet
- ✓ Vessel clamping system with two arms
- ✓ 5m cable between dissolver and electric cabinet included (other length on request)
- ✓ 125 mm dispersing disc included

**Dispermill TT-400**

4,0 kW, 150 - 4.000 RPM, 500 ml - 25 L

**Order code**

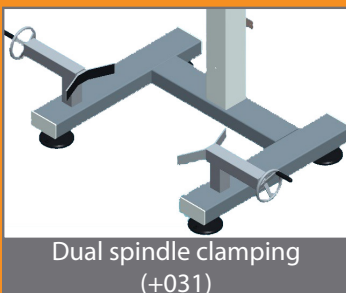
10-1090



## TECHNICAL SPECIFICATIONS

<b>Power</b>	4,0 kW / 7,5 HP
<b>Supply</b>	400V +/- 10% 50/60 Hz, 16 Ampere
<b>Speed</b>	150 till 4.000 RPM
<b>Thermal protection</b>	PTC Temperature sensors
<b>Volume range vessel</b>	500 ml - 25 L
<b>Diameter vessel</b>	80 - 305 mm (min. - max.)
<b>Height vessel</b>	85 - 430 mm (min. - max.)
<b>Dispersing disc</b>	125 mm (interchangeable)
<b>Dimensions (in mm)</b>	410 x 836 x 1349/1509 (D x W x H)
<b>Weight</b>	+/- 80 KG
<b>Safety CE</b>	Conformity Directive 2006/42/EC
<b>Electrical cabinet</b>	Dimensions: 500 x 400 x 210 mm.

## OPTIONS



- +015 Power readout in kW
- +011 Mechanical timer with automatic stop (120 min)